

2014 County Engineers Workshop

February 13, 2014

Little River Casino

Overview

- Items from MDOT Support Areas
- Items from MDOT Regions
- New Items

Geotechnical/Structures

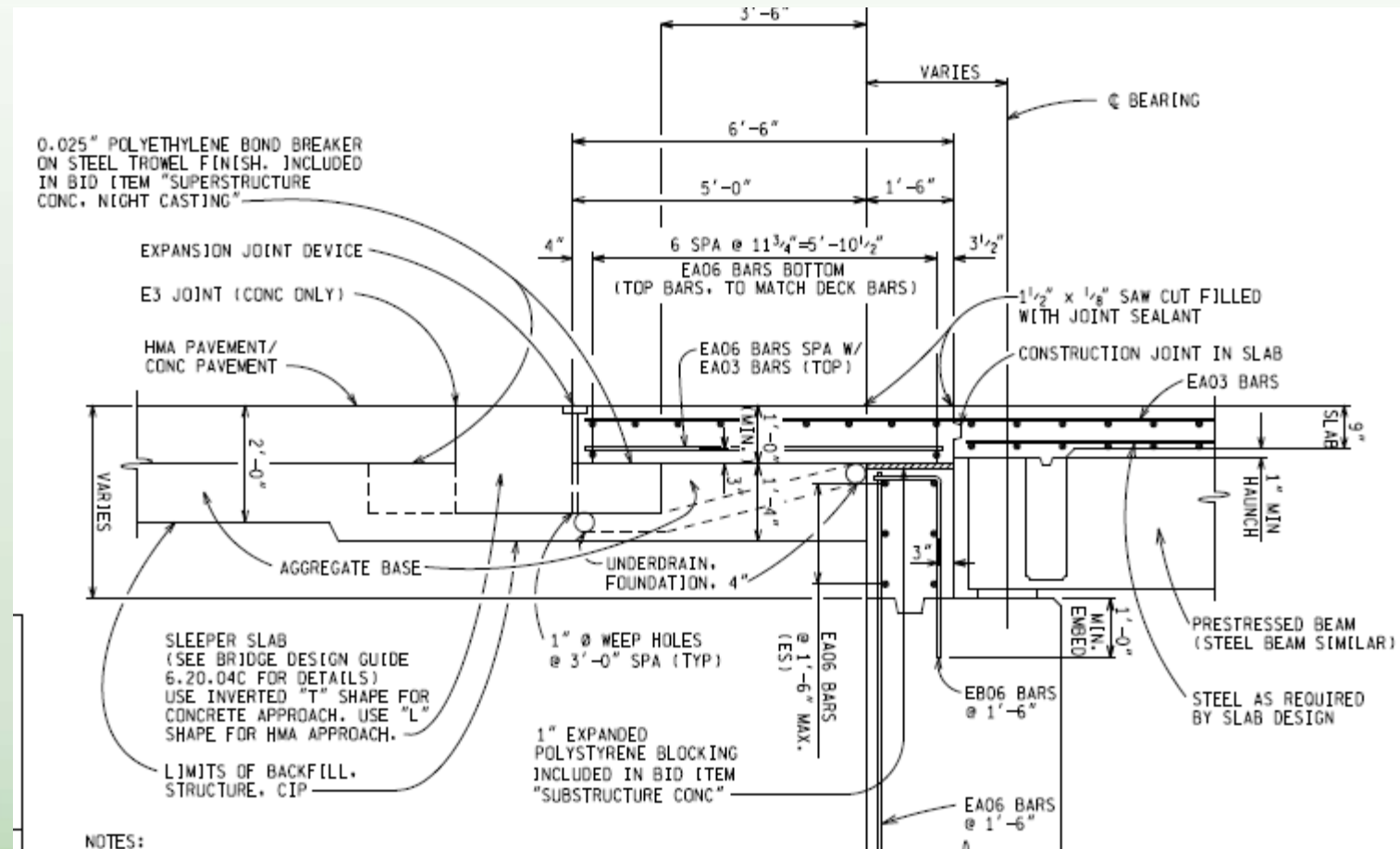
- Pile Driving
 - Saximeters are required per 705.03 of the 2012 SSFC
 - MDOT has 16 to loan out



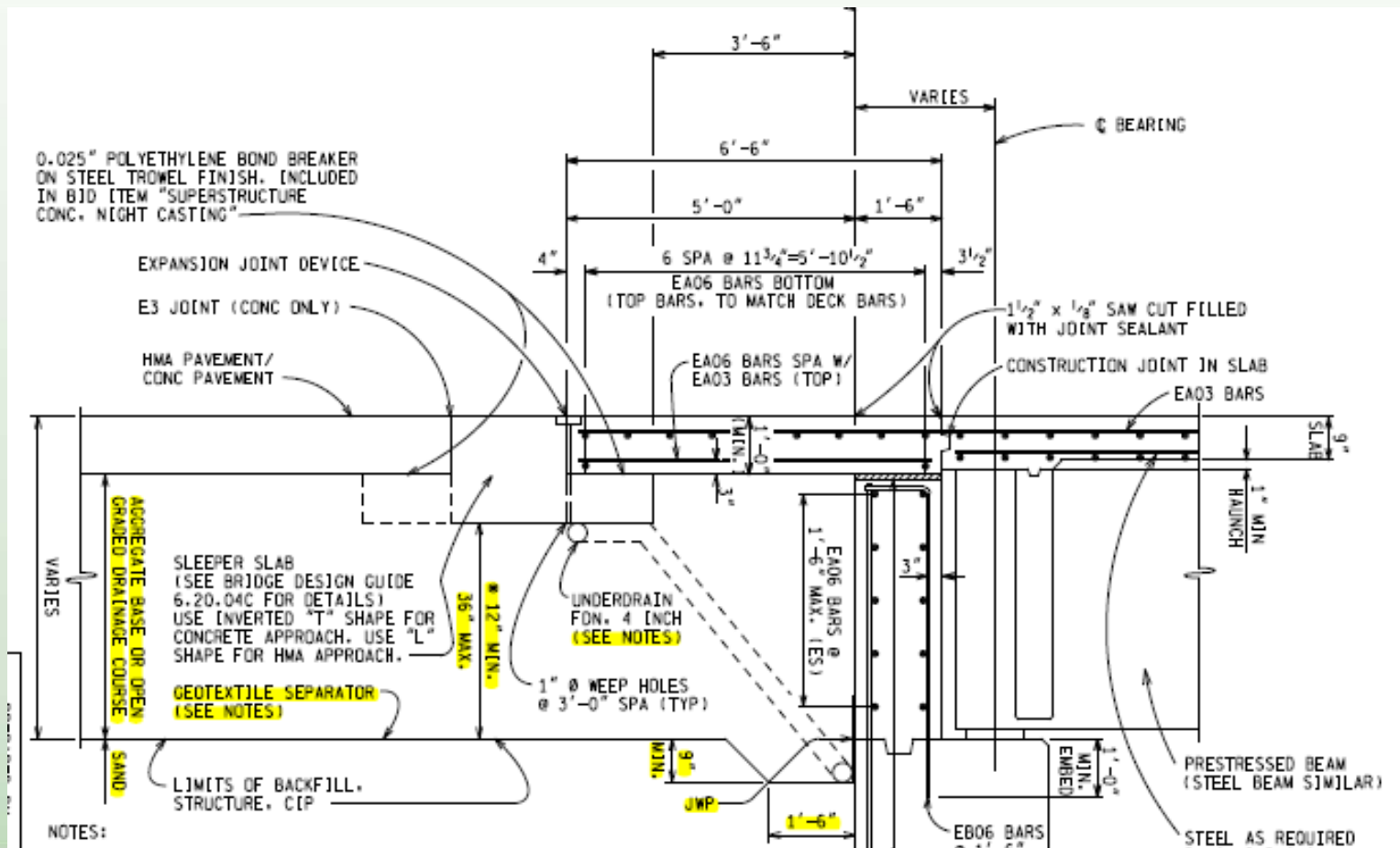
Geotechnical/Structures

- New Approach Slab System/Sleeper Slab details coming out soon
 - Thicker /Uniform Section
 - Increase Density for Dense Graded Aggregate
 - Limiting use of 5 foot approach slabs

Existing 620.03A



Proposed 620.03A



Grading/Drainage/SESC

- MDEQ Policy and Procedure Update
 - Winter Inspection Policy Permit-By-Rule
 - Effective Date 03/06/2013
- Inspection Reports
 - Corrective action follow up

Paving

- New RAP Special Provision
- Shingles in RAP
- HMA Acceptance
- Testing on the NHS



Construction Contracts

- New Consultant Prequalification
 - Local Agency Construction Engineering
 - Market Entry
 - Existing Firms
- Contractor Performance Evaluations

Construction Contracts

- New LPA Construction Website
- Pre-Construction Boilerplate
- BOH-IM 2012-11 Signing of Pay Estimates
- Local Agency Non-Competitively Bid Projects (Force Account)

Regions

- Inactive Projects
 - BOH-IM 2013-08
 - Notify MDOT If the next, or final estimate will not be generated within 9 months.
- Timely Payment
 - Accepted work
 - Contract Mods/Balancing Mods

Regions

- Inspection
 - IDR's
 - Density
- DBE And CUF documentation
 - BOH-IM 2013-12
 - Certification Statement on 1120
- Computerized Office Tech Certification

New Stuff

- e-Pub Manuals
- Wiki based Construction Manual
- LTAP Webinar

Questions?

Scott Greene, P.E.

MDOT CFS

greenes2@michigan.gov

517-322-5705